

## Contents

Safety information	2	Care and Cleaning	6
Control panel	4	What to do if...	7
First use	5	Installation	9
Daily use	5	Technical data	10
Helpful hints and tips	6	Environmental concerns	10

Subject to change without notice



## Safety information

In the interest of your safety and to ensure the correct use, before installing and first using the appliance, read this user manual carefully, including its hints and warnings. To avoid unnecessary mistakes and accidents, it is important to ensure that all people using the appliance are thoroughly familiar with its operation and safety features. Save these instructions and make sure that they remain with the appliance if it is moved or sold, so that everyone using it through its life will be properly informed on appliance use and safety.

For the safety of life and property keep the precautions of these user's instructions as the manufacturer is not responsible for damages caused by omission.

### Children and vulnerable people safety

- This appliance is not intended for use by persons (including children) with reduced physical, sensory or mental capabilities, or lack of experience and knowledge, unless they have been given supervision or instruction concerning use of the appliance by a person responsible for their safety. Children should be supervised to ensure that they do not play with the appliance.
- Keep all packaging well away from children. There is risk of suffocation.
- If you are discarding the appliance pull the plug out of the socket, cut the connection cable (as close to the appliance as you can) and remove the door to prevent playing children to suffer electric shock or to close themselves into it.
- If this appliance featuring magnetic door seals is to replace an older appliance having a spring lock (latch) on the door or lid, be sure to make that spring lock unusable before you discard the old appliance. This will prevent it from becoming a death trap for a child.

### General safety



**Caution!** Keep ventilation openings clear of obstruction.

- The appliance is intended for keeping foodstuff and/or beverages in a normal household as explained in this instruction booklet.
- Do not use a mechanical device or any artificial means to speed up the thawing process.
- Do not use other electrical appliances (such as ice cream makers) inside of refrigerating appliances, unless they are approved for this purpose by the manufacturer.
- Do not damage the refrigerant circuit.
- The refrigerant isobutane (R600a) is contained within the refrigerant circuit of the appliance, a natural gas with a high level of environmental compatibility, which is nevertheless flammable. During transportation and installation of the appliance, be certain that none of the components of the refrigerant circuit become damaged. If the refrigerant circuit should become damaged:
  - avoid open flames and sources of ignition
  - thoroughly ventilate the room in which the appliance is situated
- It is dangerous to alter the specifications or modify this product in any way. Any damage to the cord may cause a short-circuit, fire and/or electric shock.



**Warning!** Any electrical component (power cord, plug, compressor) must be replaced by a certified service agent or qualified service personnel.

1. Power cord must not be lengthened.

2. Make sure that the power plug is not squashed or damaged by the back of the appliance. A squashed or damaged power plug may overheat and cause a fire.
3. Make sure that you can come to the mains plug of the appliance.
4. Do not pull the mains cable.
5. If the power plug socket is loose, do not insert the power plug. There is a risk of electric shock or fire.
6. You must not operate the appliance without the lamp cover<sup>1)</sup> of interior lighting.
  - This appliance is heavy. Care should be taken when moving it.
  - Do not remove nor touch items from the freezer compartment if your hands are damp/wet, as this could cause skin abrasions or frost/freezer burns.
  - Avoid prolonged exposure of the appliance to direct sunlight.
  - Bulb lamps<sup>2)</sup> used in this appliance are special purpose lamps selected for household appliances use only. They are not suitable for household room illumination.

### Daily Use

- Do not put hot pot on the plastic parts in the appliance.
- Do not store flammable gas and liquid in the appliance, because they may explode.
- Do not place food products directly against the air outlet on the rear wall.<sup>3)</sup>
- Frozen food must not be re-frozen once it has been thawed out.
- Store pre-packed frozen food in accordance with the frozen food manufacturer's instructions.
- Appliance's manufacturers storage recommendations should be strictly adhered to. Refer to relevant instructions.
- Do not place carbonated or fizzy drinks in the freezer compartment as it creates pressure on the container, which may cause it to explode, resulting in damage to the appliance.
- Ice lollies can cause frost burns if consumed straight from the appliance.

1) If the lamp cover is foreseen

2) If the lamp is foreseen

3) If the appliance is Frost Free

4) If a water connection is foreseen

### Care and cleaning

- Before maintenance, switch off the appliance and disconnect the mains plug from the mains socket.
- Do not clean the appliance with metal objects.
- Do not use sharp objects to remove frost from the appliance. Use a plastic scraper.
- Regularly examine the drain in the refrigerator for defrosted water. If necessary, clean the drain. If the drain is blocked, water will collect in the bottom of the appliance.

### Installation


**Important!** For electrical connection carefully follow the instructions given in specific paragraphs.


- Unpack the appliance and check if there are damages on it. Do not connect the appliance if it is damaged. Report possible damages immediately to the place you bought it. In that case retain packing.
- It is advisable to wait at least four hours before connecting the appliance to allow the oil to flow back in the compressor.
- Adequate air circulation should be around the appliance, lacking this leads to overheating. To achieve sufficient ventilation follow the instructions relevant to installation.
- Wherever possible the back of the product should be against a wall to avoid touching or catching warm parts (compressor, condenser) to prevent possible burn.
- The appliance must not be located close to radiators or cookers.
- Make sure that the mains plug is accessible after the installation of the appliance.
- Connect to potable water supply only.<sup>4)</sup>

### Service

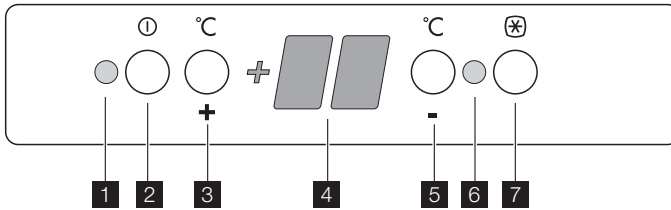
- Any electrical work required to do the servicing of the appliance should be carried out by a qualified electrician or competent person.
- This product must be serviced by an authorized Service Centre, and only genuine spare parts must be used.

## Environment Protection

 This appliance does not contain gasses which could damage the ozone layer, in either its refrigerant circuit or insulation materials. The appliance shall not be discarded together with the urban refuse and rubbish. The insulation foam contains flammable gases: the appliance

shall be disposed according to the applicable regulations to obtain from your local authorities. Avoid damaging the cooling unit, especially at the rear near the heat exchanger. The materials used on this appliance marked by the symbol  are recyclable.

## Control panel



- 1** Fridge Pilot light
- 2** Fridge ON/OFF switch
- 3** Fridge temperature regulator, + button
- 4** Fridge temperature indicator
- 5** Fridge temperature regulator, - button
- 6** Supercool indicator
- 7** Supercool button

### Switching on the fridge

1. Insert the plug into the mains socket.
2. Press ON/OFF switch .
3. The Pilot Light will light up.

### Switching off the fridge

1. Keep ON/OFF switch pressed for more than 5 seconds.
2. After that, a countdown of the temperature from -3 -2 -1 will be shown. When "1" appears the fridge is turned off. The temperature indicator switches off. The Pilot light switches off.

### Temperature setting buttons

The temperature is adjusted using the temperature setting buttons. These buttons are connected to the temperature indicator.

- The temperature indicator is switched over from the indicator of the ACTUAL temperature (Temperature indicator is illuminated) to the indicator of the DESIRED temperature (Temperature indicator flashes) by pressing one of the Temperature setting buttons.

- Each time one of the two buttons is pressed again the DESIRED temperature is adjusted by 1°C. The DESIRED temperature must be reached within 24 hours. If neither button is pressed, the temperature indicator automatically switches back after a short period (approx. 5 sec.) to the indicator of the ACTUAL temperature.

#### DESIRED temperature means:

The temperature that has been selected for inside the fridge. The DESIRED temperature is indicated by flashing numbers.

#### ACTUAL temperature means:

The temperature indicator shows the current temperature inside the fridge. The ACTUAL temperature is indicated with illuminated numbers.

#### Temperature indicator

The temperature indicator shows several information:

- During normal operation, the temperature currently present in the fridge (ACTUAL temperature) is displayed.
- When the temperature is being adjusted a flashing display indicates the fridge temperature currently set (DESIRED temperature).

When changing the temperature setting wait about 24 hours until the temperature display has stabilised.

## Temperature regulation

To operate the appliance, proceed as follows:

1. Set the required temperature by pressing the corresponding temperature regulator. The temperature indicator will immediately show the changed setting (DESIRED temperature) and the temperature indicator flashes.
2. Each time the temperature regulator is pressed the DESIRED temperature is adjusted by 1 °C. The DESIRED temperature must be reached within 24 hours.
3. Once the required temperature has been set, after a short period (approx. 5 sec.) the temperature indicator will show again the current ACTUAL temperature inside the corresponding compartment. The temperature indicator will change from flashing to continuous illumination.

For a correct storage of the food the following temperature should be set:

- +5 °C in the fridge

**Important!** When the setting is changed, the compressor does not start immediately if automatic defrosting is currently taking place. As the storage temperature within the fridge is reached quickly you can store food immediately after switching on.

## Supercool function

The Supercool function is suited for quick cooling of large quantities of goods in the refrigerator.

To activate the function, do these steps:

1. Press the Supercool button.
2. The Supercool indicator switches on. The Supercool function now provides for intensive cooling. A DESIRED temperature of +3°C is automatically selected.

The Supercool function is ended automatically after a period of 6 hours.

You can deactivate the function at any time:

1. Press the Supercool button.
2. The Supercool indicator switches off.

## First use

### Cleaning the interior

Before using the appliance for the first time, wash the interior and all internal accessories with lukewarm water and some neutral soap so as to remove the typical smell of a brand-new product, then dry thoroughly.

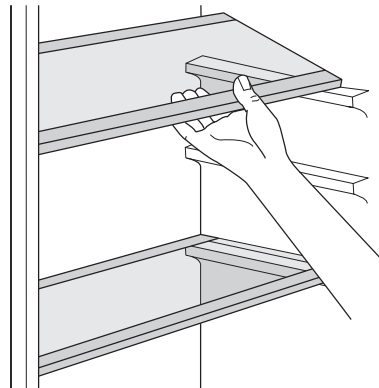
**Important!** Do not use detergents or abrasive powders, as these will damage the finish.

## Daily use

### Movable shelves

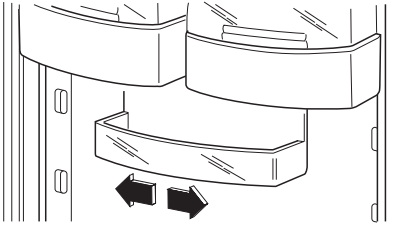
The walls of the refrigerator are equipped with a series of runners so that the shelves can be positioned as desired.

For better use of space, the front half-shelves can lie over the rear ones.



### Positioning the door shelves

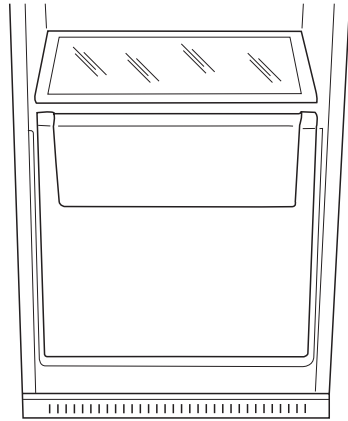
The model is equipped with a variable storage box which is fitted under a door shelf compartment and can be slide sideways.



For more thorough cleaning, the top and bottom door shelves can be easily removed and refitted in position

### Removable Drawer

Fruit, vegetables and bottles should be placed in the special bottom drawer provided (see the diagram).



## Helpful hints and tips

### Hints for energy saving

- Do not open the door frequently or leave it open longer than absolutely necessary.
- If the ambient temperature is high and the Temperature Regulator is set to low temperature and the appliance is fully loaded, the compressor may run continuously, causing frost or ice on the evaporator. If this happens, set the Temperature Regulator toward warmer settings to allow automatic defrosting and so a saving in electricity consumption.

### Hints for fresh food refrigeration

To obtain the best performance:

- do not store warm food or evaporating liquids in the refrigerator
- do cover or wrap the food, particularly if it has a strong flavour
- position food so that air can circulate freely around it

### Hints for refrigeration

Useful hints:

Meat (all types) : wrap in polythene bags and place on the glass shelf above the vegetable drawer.

For safety, store in this way only one or two days at the most.

Cooked foods, cold dishes, etc...: these should be covered and may be placed on any shelf.

Fruit and vegetables: these should be thoroughly cleaned and placed in the special drawer(s) provided.

Butter and cheese: these should be placed in special airtight containers or wrapped in aluminium foil or polythene bags to exclude as much air as possible.

Milk bottles: these should have a cap and should be stored in the bottle rack on the door.

Bananas, potatoes, onions and garlic, if not packed, must not be kept in the refrigerator.

## Care and Cleaning

**!** **Caution!** Unplug the appliance before carrying out any maintenance operation.



This appliance contains hydrocarbons in its cooling unit; maintenance and re-

charging must therefore only be carried out by authorized technicians.

### Periodic cleaning

The equipment has to be cleaned regularly:

- clean the inside and accessories with lukewarm water and some neutral soap.
- regularly check the door seals and wipe clean to ensure they are clean and free from debris.
- rinse and dry thoroughly.

**Important!** Do not pull, move or damage any pipes and/or cables inside the cabinet. Never use detergents, abrasive powders, highly perfumed cleaning products or wax polishes to clean the interior as this will damage the surface and leave a strong odour.

Clean the condenser (black grill) and the compressor at the back of the appliance with a brush or a vacuum cleaner. This operation will improve the performance of the appliance and save electricity consumption.

**Important!** Take care of not to damage the cooling system.

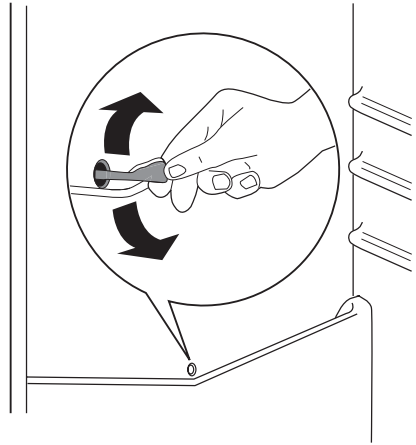
Many proprietary kitchen surface cleaners contain chemicals that can attack/damage the plastics used in this appliance. For this reason it is recommended that the outer casing of this appliance is only cleaned with warm water with a little washing-up liquid added.

After cleaning, reconnect the equipment to the mains supply.

### Defrosting of the refrigerator

Frost is automatically eliminated from the evaporator of the refrigerator compartment every time the motor compressor stops, during normal use. The defrost water drains out through a trough into a special container at

the back of the appliance, over the motor compressor, where it evaporates. It is important to periodically clean the defrost water drain hole in the middle of the refrigerator compartment channel to prevent the water overflowing and dripping onto the food inside. Use the special cleaner provided, which you will find already inserted into the drain hole.



### Periods of non-operation

When the appliance is not in use for long periods, take the following precautions:

- **disconnect the appliance from electricity supply**
- remove all food
- defrost <sup>5)</sup> and clean the appliance and all accessories
- leave the door/doors ajar to prevent unpleasant smells.

If the cabinet will be kept on, ask somebody to check it once in a while to prevent the food inside from spoiling in case of a power failure.

### What to do if...

**Warning!** Before troubleshooting, disconnect the mains plug from the mains socket. Only a qualified electrician or competent person must do the troubleshooting that is not in this manual.

**Important!** There are some sounds during normal use (compressor, refrigerant circulation).

<sup>5)</sup> If foreseen.

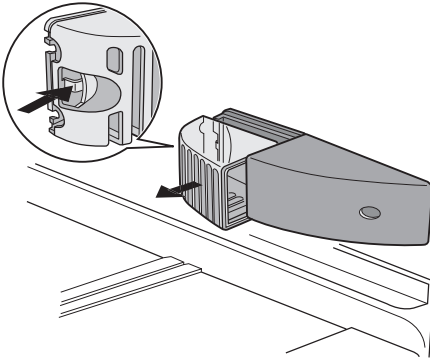
Problem	Possible cause	Solution
<b>The appliance is noisy</b>	The appliance is not supported properly	Check if the appliance stands stable (all the four feet should be on the floor)
<b>The appliance does not operate. The lamp does not operate.</b>	The appliance is switched off.	Switch on the appliance.
	The mains plug is not connected to the mains socket correctly.	Connect the mains plug to the mains socket correctly.
	The appliance has no power. There is no voltage in the mains socket.	Connect a different electrical appliance to the mains socket. Contact a qualified electrician.
<b>The lamp does not work.</b>	The lamp is in stand-by.	Close and open the door.
	The lamp is defective.	Refer to "Replacing the lamp".
<b>The Pilot light flashes.</b>	The appliance is not working properly.	Contact a qualified electrician.
<b>The compressor operates continually.</b>	The temperature is not set correctly.	Set a higher temperature.
	The door is not closed correctly.	Refer to "Closing the door".
	The door has been opened too frequently.	Do not keep the door open longer than necessary.
	The product temperature is too high.	Let the product temperature decrease to room temperature before storage.
	The room temperature is too high.	Decrease the room temperature.
<b>The compressor does not start immediately after pressing the Supercool button, or after changing the temperature.</b>	The compressor starts after a period of time.	This is correct.
<b>Water flows on the rear plate of the refrigerator.</b>	During the automatic defrosting process, frost defrosts on the rear plate.	This is correct.
<b>Temperature cannot be set .</b>	Supercool function switched on.	Switch off Supercool manually, or wait to set the temperature until the function has reset automatically. Refer to "Supercool function".
<b>The temperature in the appliance is too low/high.</b>	The temperature regulator is not set correctly.	Set a higher/lower temperature.
	The door is not closed correctly.	Refer to "Closing the door".
	The product temperature is too high.	Let the product temperature decrease to room temperature before storage.
	Many products are stored at the same time.	Store less products at the same time.
<b>The temperature in the refrigerator is too high.</b>	There is no cold air circulation in the appliance.	Make sure that there is cold air circulation in the appliance.

### Replacing the lamp

1. Disconnect the mains plug from the mains socket.



2. Press on the rear hook and at the same time slide the lamp cover in the direction of the arrow.
3. Replace the lamp with one of the same power and specifically designed for household appliances. (the maximum power is shown on the light lamp cover)
4. Install the lamp cover by sliding it into its original position.
5. Connect the mains plug to the mains socket.
6. Open the door. Make sure that the lamp comes on.



### Closing the door

1. Clean the door gaskets.
2. If necessary, adjust the door. Refer to "Installation".
3. If necessary, replace the defective door gaskets. Contact the Service Center.

## Installation

**!** Read the "Safety Information" carefully for your safety and correct operation of the appliance before installing the appliance.

### Positioning

Install this appliance at a location where the ambient temperature corresponds to the climate class indicated on the rating plate of the appliance:

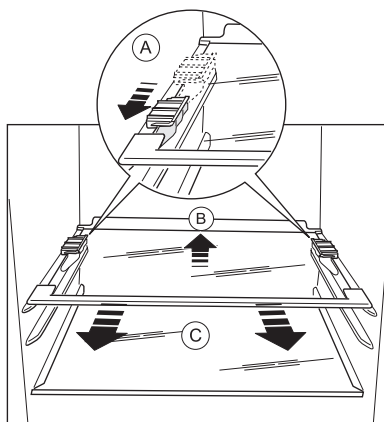
Climate class	Ambient temperature
SN	+10°C to + 32°C
N	+16°C to + 32°C
ST	+16°C to + 38°C
T	+16°C to + 43°C

### Removing the shelf holders

Your appliance is equipped with shelf retainers that make it possible to secure the shelves during transportation.

To remove them proceed as follows:

1. Move the shelf holders in the direction of the arrow (A).
2. Raise the shelf from the rear and push it forward until it is freed (B).
3. Remove the retainers (C).



### Electrical connection

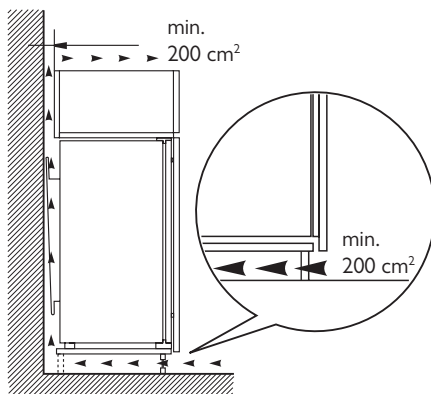
Before plugging in, ensure that the voltage and frequency shown on the rating plate correspond to your domestic power supply. The appliance must be earthed. The power supply cable plug is provided with a contact for this purpose. If the domestic power supply socket is not earthed, connect the appliance to a separate earth in compliance with current regulations, consulting a qualified electrician.

The manufacturer declines all responsibility if the above safety precautions are not observed.

This appliance complies with the E.E.C. Directives.

### Ventilation requirements

The airflow behind the appliance must be sufficient.




### Technical data

Dimension of the recess		
	Height	1780 mm
	Width	560 mm
	Depth	550 mm

The technical information are situated in the rating plate on the internal left side of the appliance and in the energy label.

### Environmental concerns

The symbol  on the product or on its packaging indicates that this product may not be treated as household waste. Instead it should be taken to the appropriate collection point for the recycling of electrical and electronic equipment. By ensuring this product is disposed of correctly, you will help prevent potential negative consequences for

the environment and human health, which could otherwise be caused by inappropriate waste handling of this product. For more detailed information about recycling of this product, please contact your local council, your household waste disposal service or the shop where you purchased the product.



